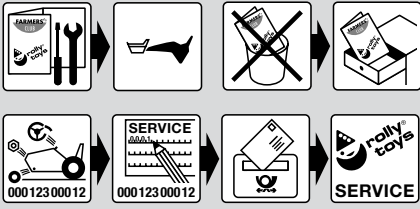
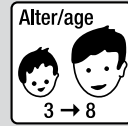


# rolly® junior lader



**rolly toys Kundendienst Deutschland:**

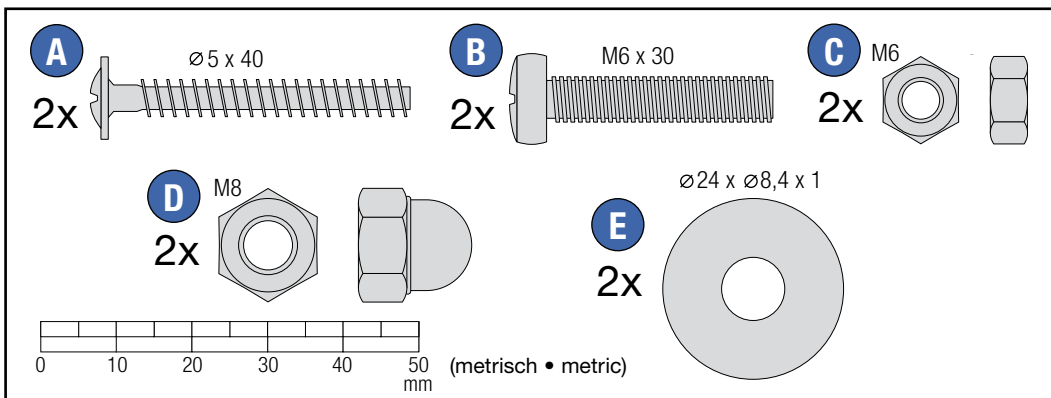
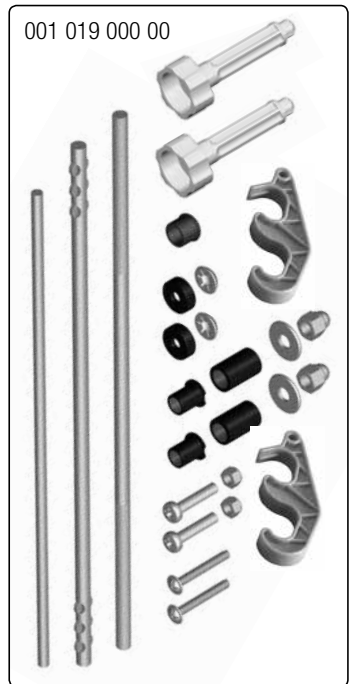
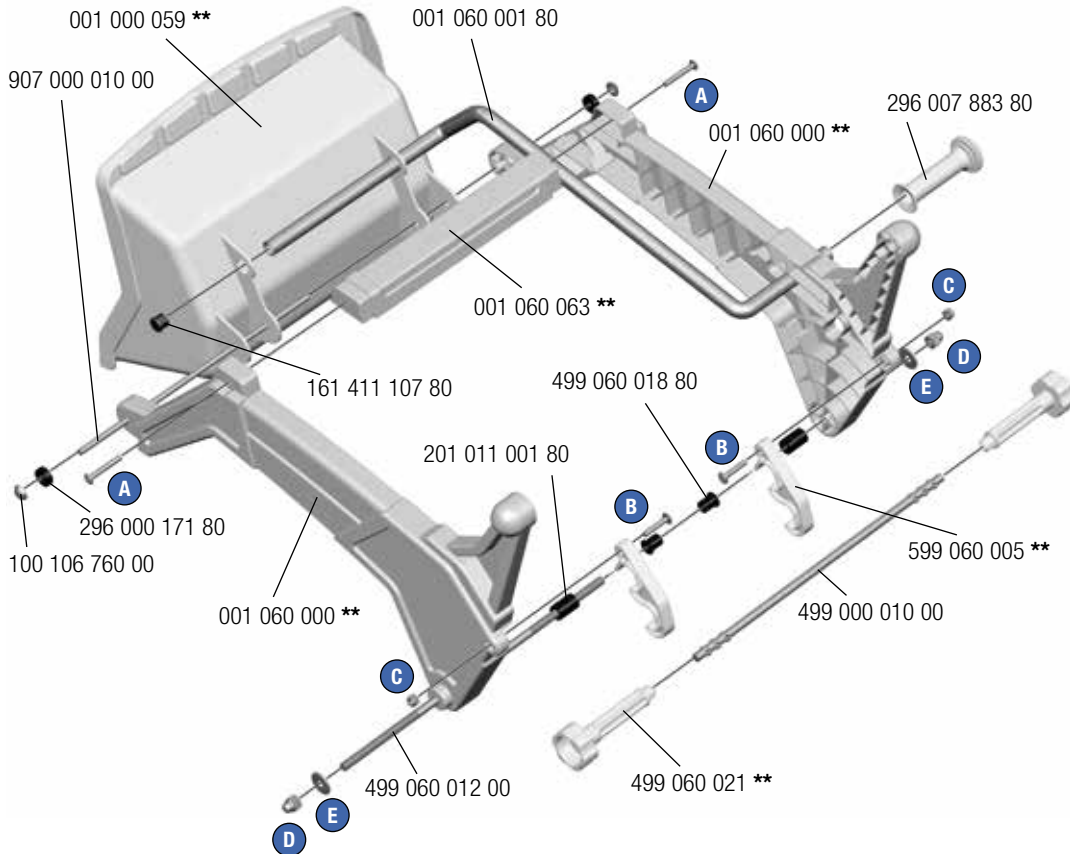
Tel: +49 (0) 95 68 / 856-142

Fax: +49 (0) 95 68 / 856-183

e-mail: service@rollytoys.de

2019/01

933.000.800.00



→ **		
● +10	● +26	● +47
● +12	● +30	● +51
● +13	● +37	● +54
● +20	● +40	● +70
● +22	● +41	● +75
● +23	● +44	● +80

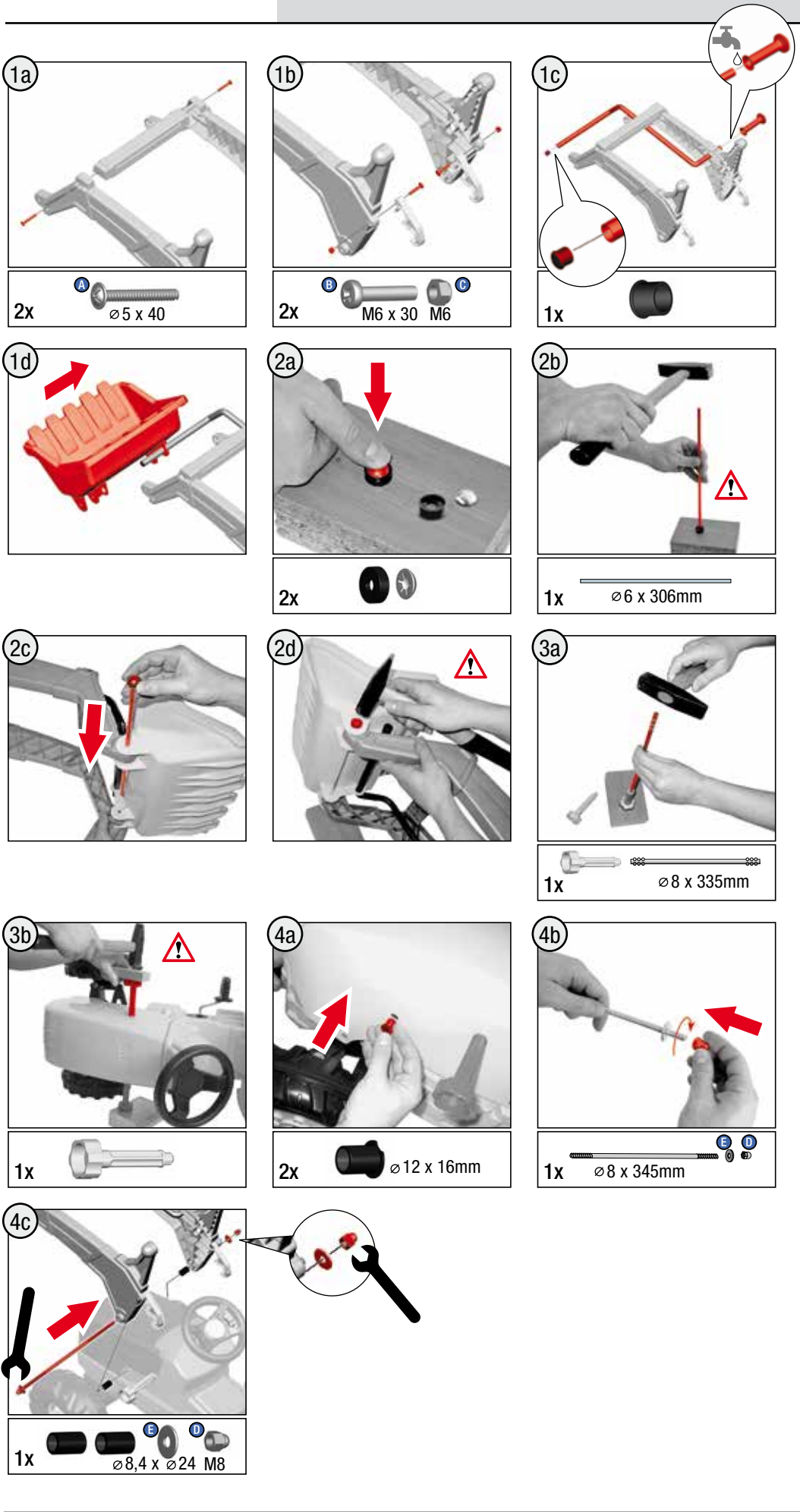


made in Germany

**WARNING:**  
**CHOKING HAZARD – Small parts.**  
 Not for children under 3 years.



**Franz Schneider GmbH & Co KG**  
 P.O.Box 1460  
 D-96459 · Neustadt bei Coburg · Germany  
 Tel.: +49 (0) 95 68 / 856-0  
 Fax.: +49 (0) 95 68 / 856-190  
 www.rollytoys.com



---NORTH & SOUTH AMERICA only---

# 180 days warranty

From the date of purchase + guaranteed spare part service

The warranty does not cover damages caused by improper use or neglect



## WARNING

- CHOKING HAZARD - Small parts, Danger of being swallowed. Contains small parts in non assembled state. Must be assembled by adults.
- Toy is not suitable to carry children.
- If toy is defective stop using it, repairs may only be carried out by adults.
- Adult supervision required.
- Never use near steps, slopes, driveways, hills, roadways, alleys or swimming pool areas.
- Always wear shoes.
- Conforms to the requirements of ASTM Standard Consumer Safety Specification on Toy Safety, F 963.