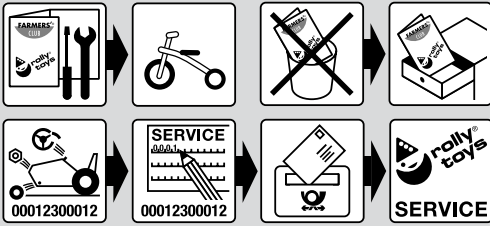
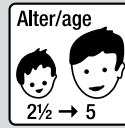


# Trio Trac



**rally toys Kundendienst Deutschland:**

Tel: +49 (0) 95 68 / 856-142

Fax: +49 (0) 95 68 / 856-183

e-mail: service@rallytoys.de

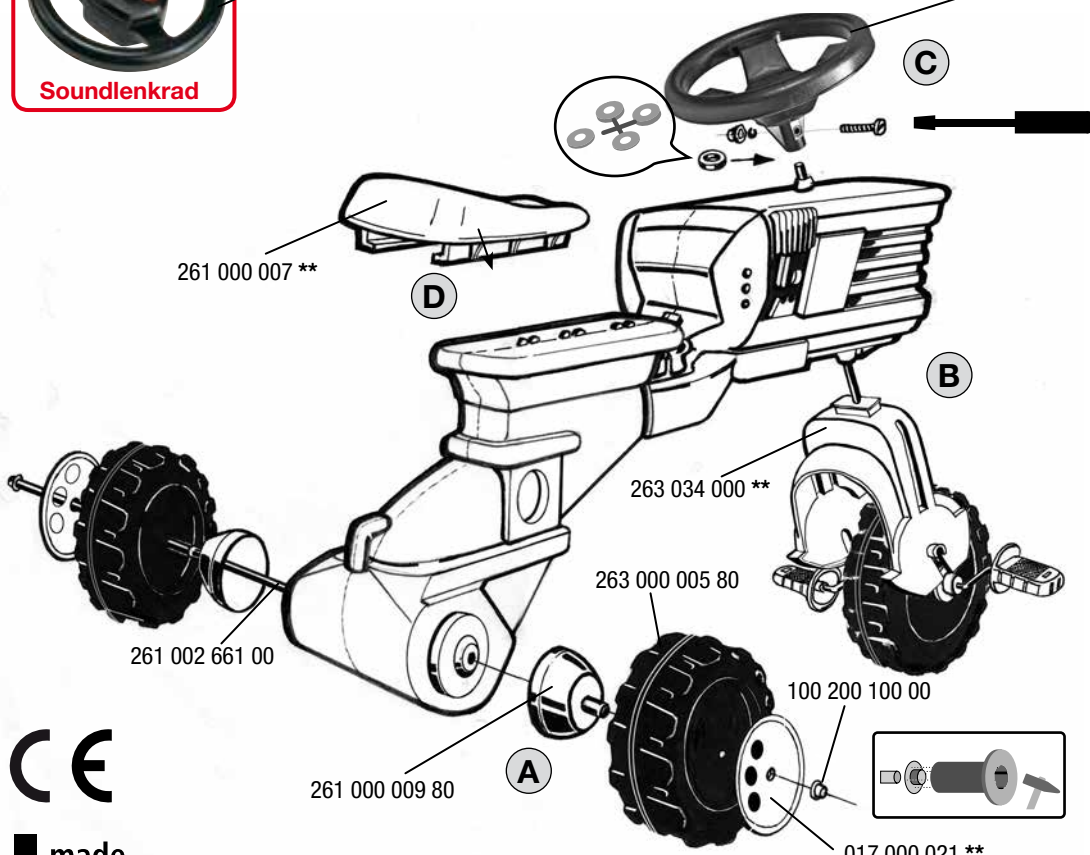
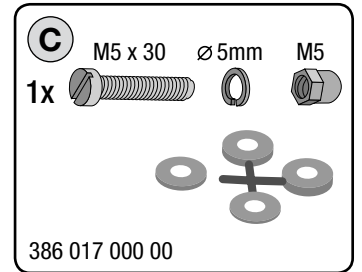
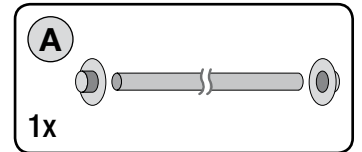
2019/02

**261.000.800.00**



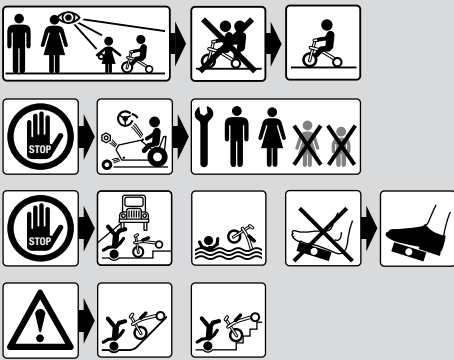
920 015 000 80

386 000 015 \*\*



**CE**  
made in Germany

→ **	+10	+26	+47
	+12	+30	+51
	+13	+37	+54
	+20	+38	+60
	+22	+40	+70
	+23	+41	+75
	+25	+44	+80



## WARNING

- CHOKING HAZARD - Small parts, Danger of being swallowed. Contains small parts in non assembled state. Must be assembled by adults.
- If toy is defective stop using it, repairs may only be carried out by adults.
- Adult supervision required.
- Never use near steps, slopes, driveways, hills, roadways, alleys or swimming pool areas.
- Always wear shoes.
- Never allow more than one rider.
- The use of protective gear and safety helmet is highly recommended.
- Conforms to the requirements of ASTM Standard Consumer Safety Specification on Toy Safety, F 963.

--- NORTH & SOUTH AMERICA only ---  
**180 days warranty**  
From the date of purchase + guaranteed spare part service  
The warranty does not cover damages caused by improper use or neglect



**Franz Schneider GmbH & Co KG**  
P.O.Box 1460  
D-96459 · Neustadt bei Coburg · Germany  
Tel.: +49 (0) 95 68 / 856 - 0  
Fax.: +49 (0) 95 68 / 856 - 190  
www.rallytoys.com